

**RIGHT-OF-WAY CLEARING DIAGRAM
FOR 115KV TRANSMISSION LINE**

PROPRIETARY INFORMATION

AHV CLAIMS PROPRIETARY RIGHTS TO THE INFORMATION, DESIGN, AND LAYOUT DISCLOSED HEREIN. THIS DRAWING IS ISSUED FOR INFORMATIONAL PURPOSES ONLY AND MAY NOT BE REPRODUCED, DISCLOSED TO OTHERS OR USED TO DESIGN OR CONSTRUCT ANY OF THE ITEMS SHOWN HEREIN WITHOUT THE EXPRESSED WRITTEN CONSENT OF AHV.

COPYRIGHT 2016-ALBANY, NY

PRELIMINARY
DRAWING

NOT FOR
CONSTRUCTION

| REV. | DATE | DESCRIPTIONS | BY | CHK'D | APRV'D |
|------|----------|------------------------|-----|-------|--------|
| A | 01/28/16 | ISSUED FOR INFORMATION | SDD | PBP | PBP |



CASSADAGA WIND PROJECT
CASSADAGA WIND, LLC.

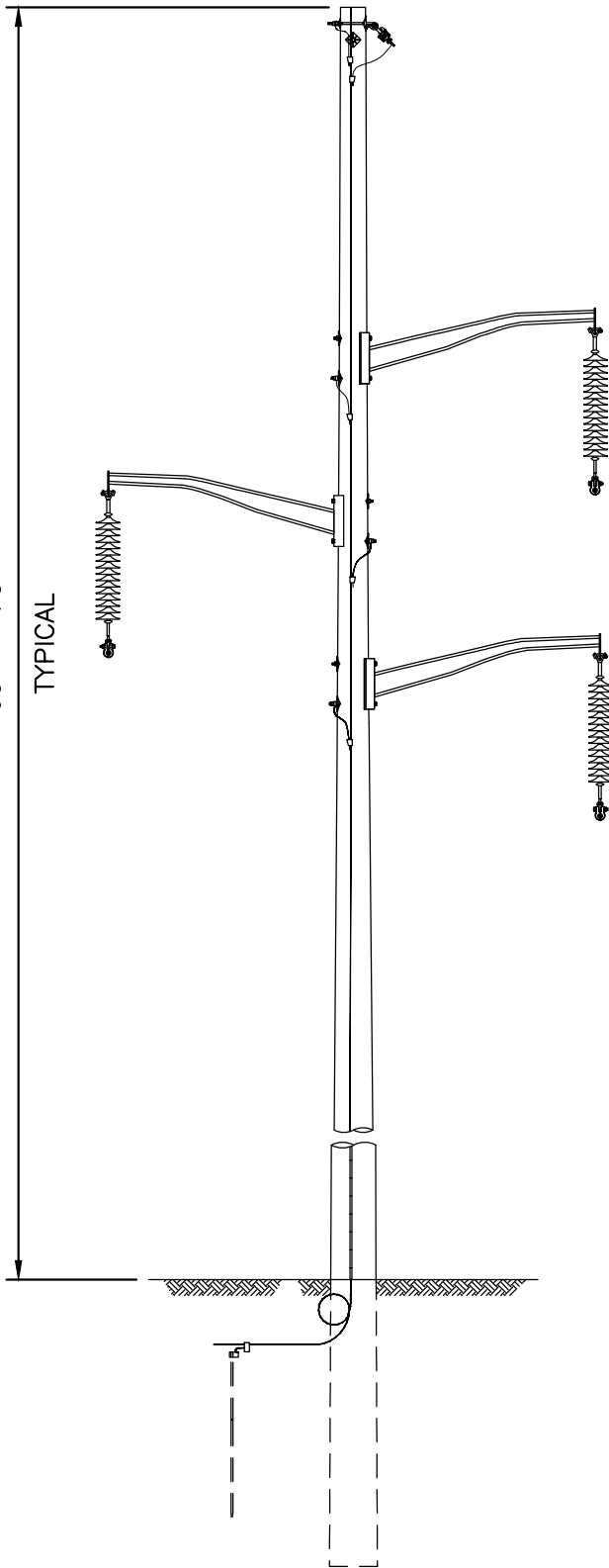
115KV TRANSMISSION LINE
RIGHT-OF-WAY
CLEARING DIAGRAM

DATE:
01/28/16

| | | |
|------------|--------|-------|
| PROJ. No.: | SCALE: | |
| 19018 | NONE | |
| DWG. No.: | SHEET: | REV.: |
| SK-003 | 01 | A |

AVE. SPAN LENGTH: 400 – 500 FT.
 AVE. STRUCTURE HEIGHT: 60 – 70 FT.

60' – 70'
 TYPICAL



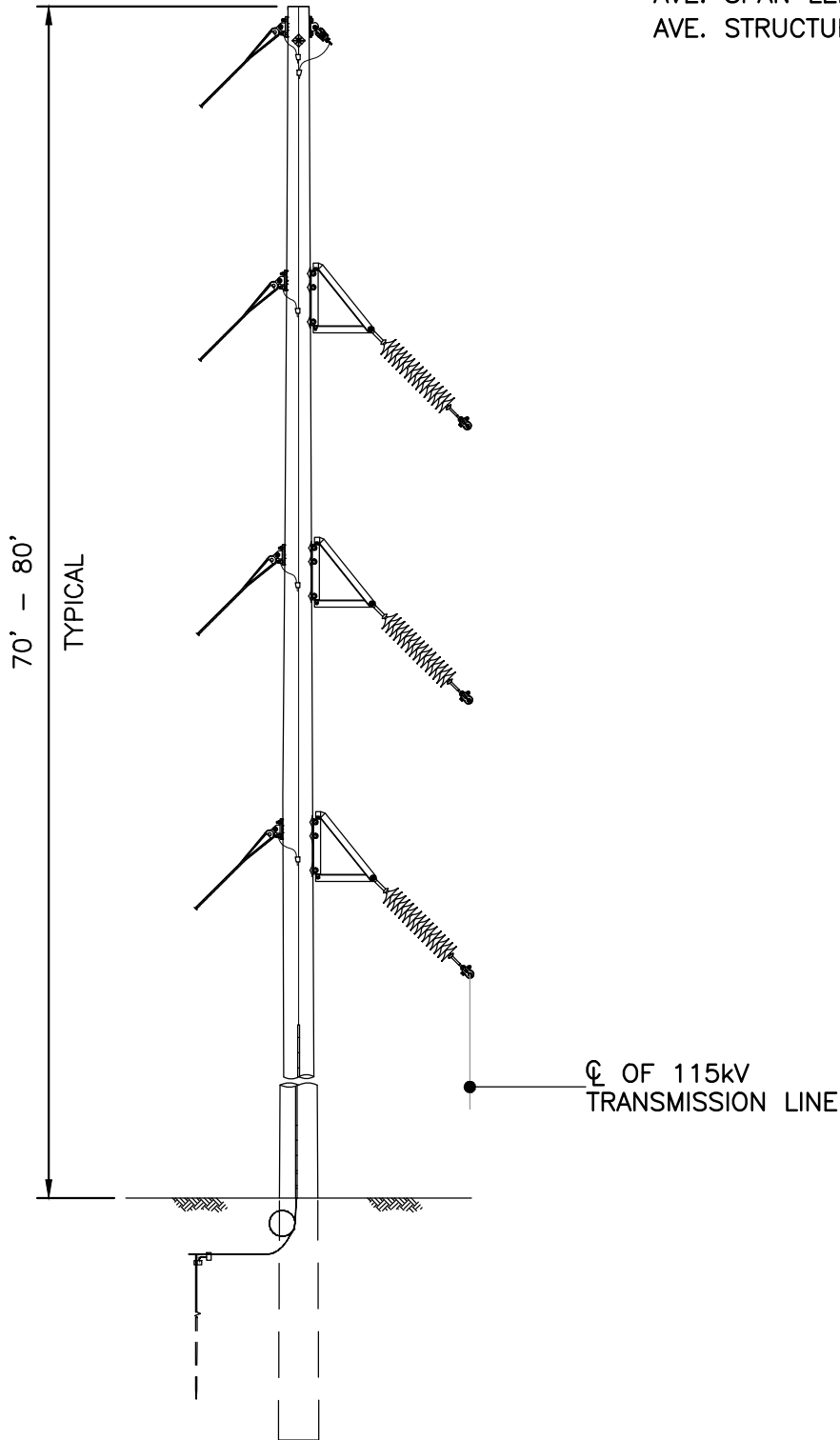
PROPRIETARY INFORMATION

AHV CLAIMS PROPRIETARY RIGHTS TO THE INFORMATION, DESIGN, AND LAYOUT DISCLOSED HEREIN. THIS DRAWING IS ISSUED FOR INFORMATIONAL PURPOSES ONLY AND MAY NOT BE REPRODUCED, DISCLOSED TO OTHERS OR USED TO DESIGN OR CONSTRUCT ANY OF THE ITEMS SHOWN HEREIN WITHOUT THE EXPRESSED WRITTEN CONSENT OF AHV. COPYRIGHT 2016 –ALBANY, NY



| | | | | | | | | | |
|------|----------|------------------------|--|--|-------|--------|---------------------|--------|-------|
| | | | | CASSADAGA WIND PROJECT CASSADAGA WIND, LLC. | | | PROJ. No.: 19018 | | |
| | | | | 115kV TRANSMISSION LINE CONCEPTUAL STRUCTURE DRAWING TYPE: TANGENT | | | SCALE: NONE | | |
| A | 01/28/16 | ISSUED FOR INFORMATION | | SDD | PBP | PBP | DWG. No.: | SHEET: | REV.: |
| REV. | DATE | DESCRIPTION | | DWN | CHK'D | APRV'D | SK-001 | 01 | A |

AVE. SPAN LENGTH: 400 – 500 FT.
 AVE. STRUCTURE HEIGHT: 70 – 80 FT.



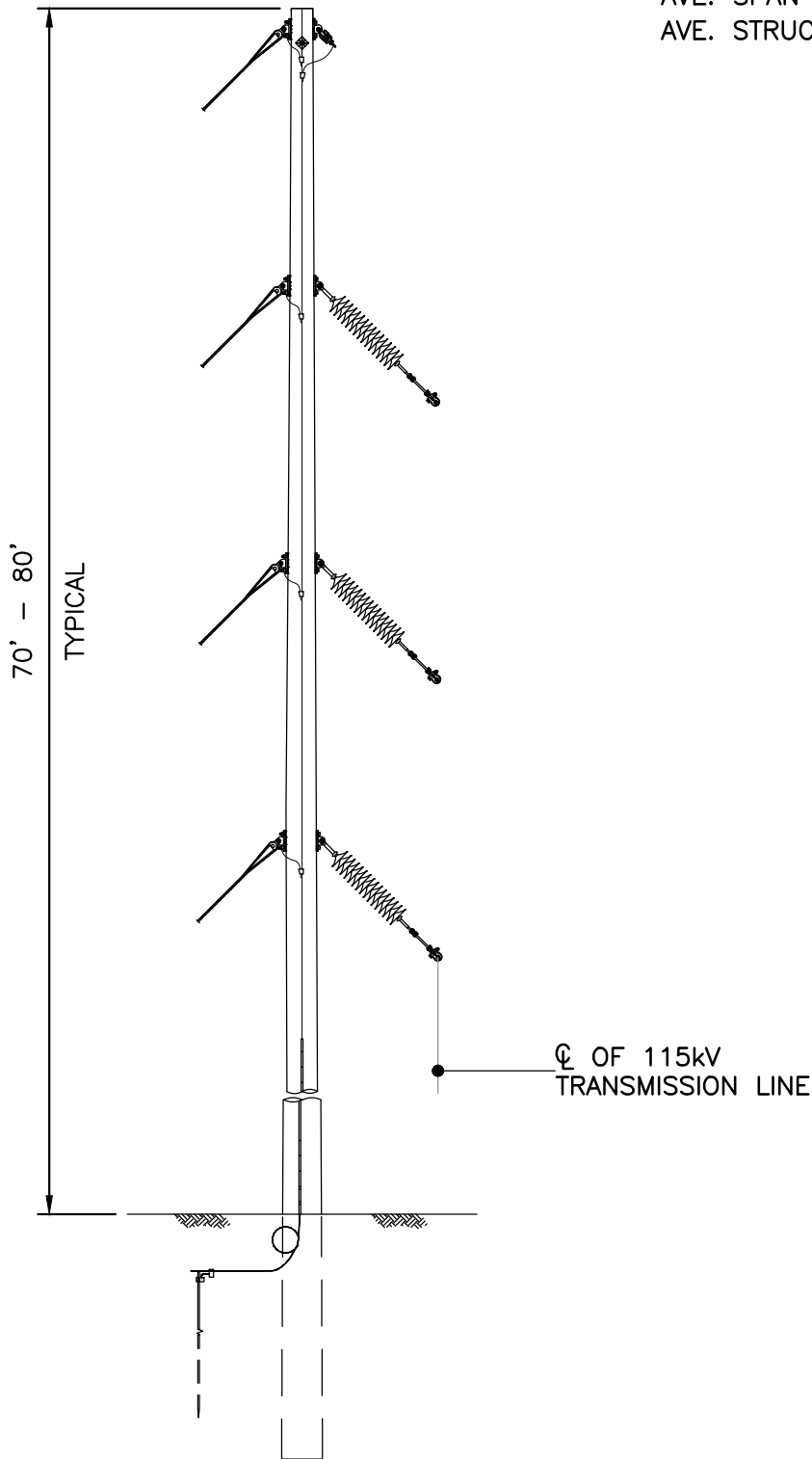
PROPRIETARY INFORMATION

AHV CLAIMS PROPRIETARY RIGHTS TO THE INFORMATION, DESIGN, AND LAYOUT DISCLOSED HEREIN. THIS DRAWING IS ISSUED FOR INFORMATIONAL PURPOSES ONLY AND MAY NOT BE REPRODUCED, DISCLOSED TO OTHERS OR USED TO DESIGN OR CONSTRUCT ANY OF THE ITEMS SHOWN HEREIN WITHOUT THE EXPRESSED WRITTEN CONSENT OF AHV. COPYRIGHT 2016 -ALBANY, NY



| | | | | | | | | | | |
|------|----------|------------------------|-----|-------|--------|--|--|---------------------|--------|-------|
| | | | | | | CASSADAGA WIND PROJECT CASSADAGA WIND, LLC. | | PROJ. No.: 19018 | | |
| | | | | | | 115kV TRANSMISSION LINE CONCEPTUAL STRUCTURE DRAWING TYPE: LIGHT ANGLE | | SCALE: NONE | | |
| A | 01/28/16 | ISSUED FOR INFORMATION | SDD | PBP | PBP | | | DWG. No.: | SHEET: | REV.: |
| REV. | DATE | DESCRIPTION | DWN | CHK'D | APRV'D | | | SK-001 | 02 | A |

AVE. SPAN LENGTH: 400 – 500 FT.
 AVE. STRUCTURE HEIGHT: 70 – 80 FT.



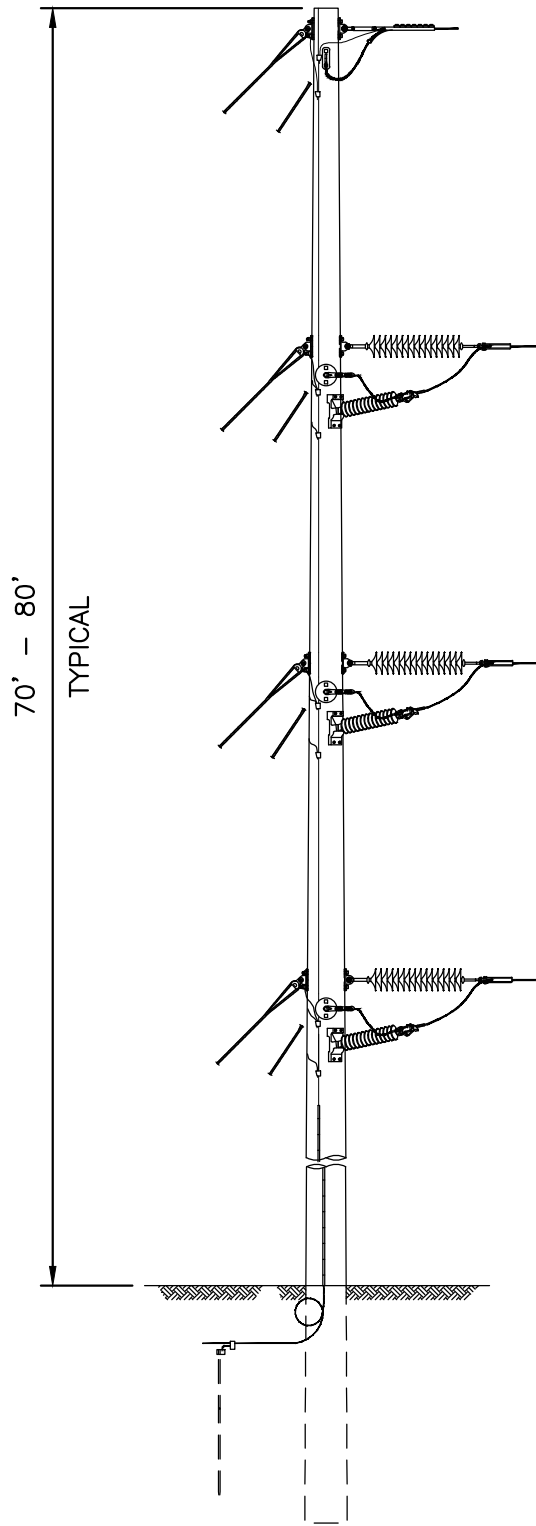
PROPRIETARY INFORMATION

AHV CLAIMS PROPRIETARY RIGHTS TO THE INFORMATION, DESIGN, AND LAYOUT DISCLOSED HEREIN. THIS DRAWING IS ISSUED FOR INFORMATIONAL PURPOSES ONLY AND MAY NOT BE REPRODUCED, DISCLOSED TO OTHERS OR USED TO DESIGN OR CONSTRUCT ANY OF THE ITEMS SHOWN HEREIN WITHOUT THE EXPRESSED WRITTEN CONSENT OF AHV. COPYRIGHT 2016 -ALBANY, NY



| | | | | | | | | | |
|------|----------|------------------------|-----|-------|--|---------------------|---------------------|--------------|------------|
| | | | | | CASSADAGA WIND PROJECT CASSADAGA WIND, LLC. | | PROJ. No.: 19018 | | |
| | | | | | 115kV TRANSMISSION LINE CONCEPTUAL STRUCTURE DRAWING TYPE: HEAVY ANGLE | | SCALE: NONE | | |
| A | 01/28/16 | ISSUED FOR INFORMATION | SDD | PBP | PBP | DWG. No.: SK-001 | | SHEET: 03 | REV.: A |
| REV. | DATE | DESCRIPTION | DWN | CHK'D | APRV'D | | | | |

AVE. SPAN LENGTH: 400 – 500 FT.
 AVE. STRUCTURE HEIGHT: 70 – 80 FT.



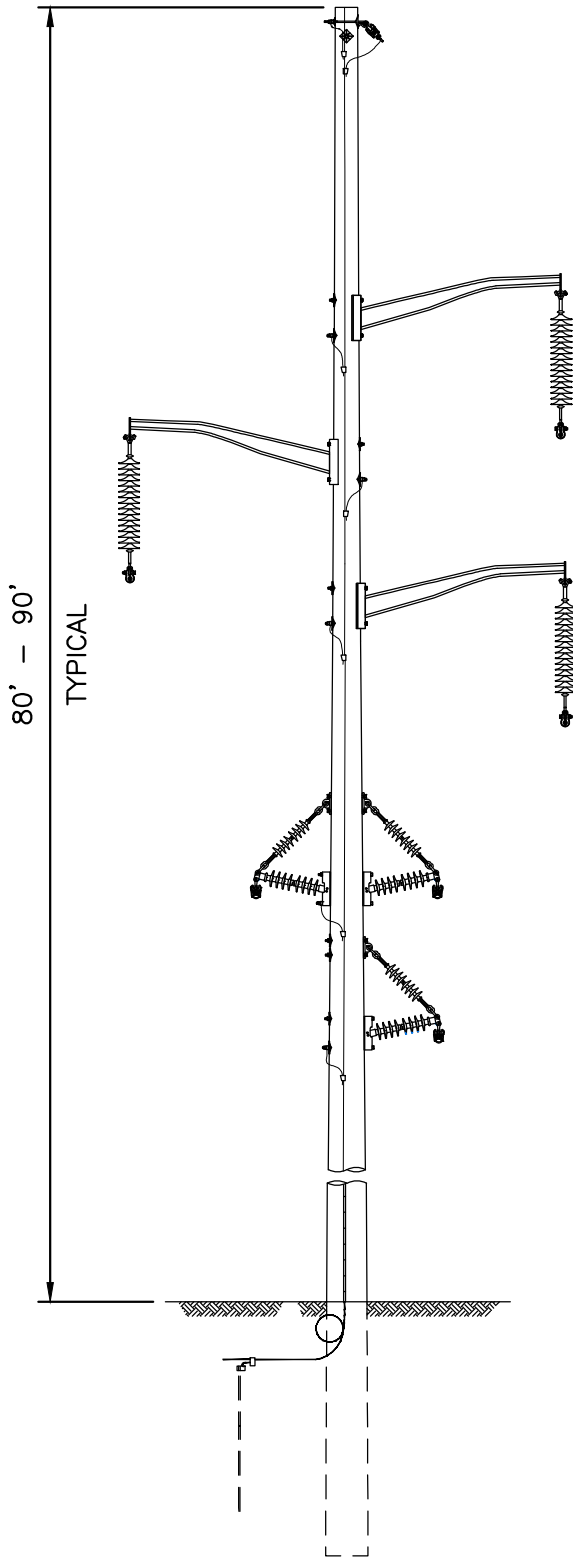
PROPRIETARY INFORMATION

AHV CLAIMS PROPRIETARY RIGHTS TO THE INFORMATION, DESIGN, AND LAYOUT DISCLOSED HEREIN. THIS DRAWING IS ISSUED FOR INFORMATIONAL PURPOSES ONLY AND MAY NOT BE REPRODUCED, DISCLOSED TO OTHERS OR USED TO DESIGN OR CONSTRUCT ANY OF THE ITEMS SHOWN HEREIN WITHOUT THE EXPRESSED WRITTEN CONSENT OF AHV. COPYRIGHT 2016 -ALBANY, NY



| | | | | | | | | | |
|------|----------|------------------------|-----|-------|---|---------------------|---------------------|--------------|------------|
| | | | | | CASSADAGA WIND PROJECT CASSADAGA WIND, LLC. | | PROJ. No.: 19018 | | |
| | | | | | 115KV TRANSMISSION LINE CONCEPTUAL STRUCTURE DRAWING TYPE: DEAD-END | | SCALE: NONE | | |
| A | 01/28/16 | ISSUED FOR INFORMATION | SDD | PBP | PBP | DWG. No.: SK-001 | | SHEET: 04 | REV.: A |
| REV. | DATE | DESCRIPTION | DWN | CHK'D | APRV'D | | | | |

AVE. SPAN LENGTH: 400 – 500 FT.
 AVE. STRUCTURE HEIGHT: 80 – 90 FT.



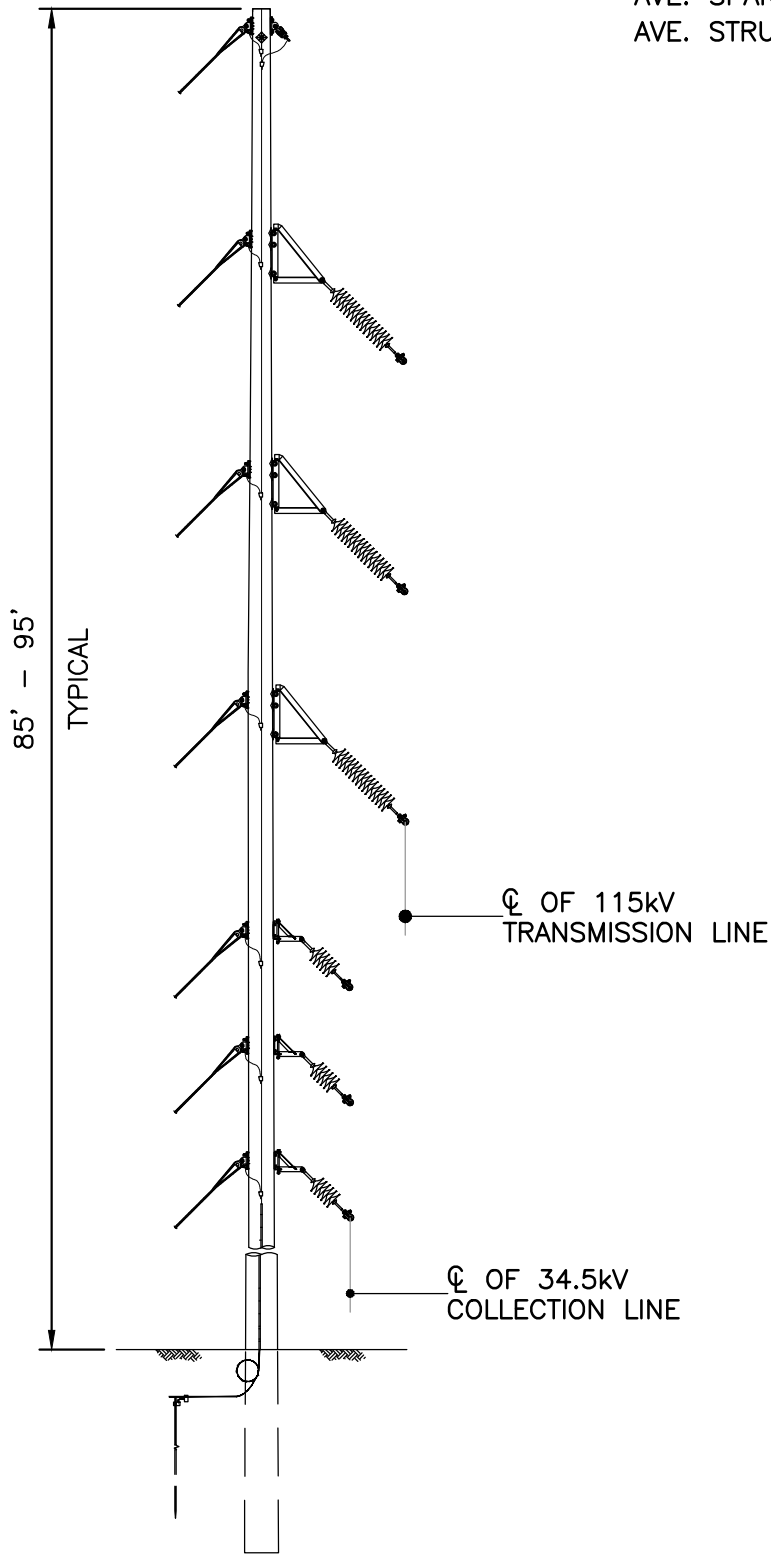
PROPRIETARY INFORMATION

AHV CLAIMS PROPRIETARY RIGHTS TO THE INFORMATION, DESIGN, AND LAYOUT DISCLOSED HEREIN. THIS DRAWING IS ISSUED FOR INFORMATIONAL PURPOSES ONLY AND MAY NOT BE REPRODUCED, DISCLOSED TO OTHERS OR USED TO DESIGN OR CONSTRUCT ANY OF THE ITEMS SHOWN HEREIN WITHOUT THE EXPRESSED WRITTEN CONSENT OF AHV. COPYRIGHT 2016 -ALBANY, NY



| | | | | | | | | | |
|------|----------|------------------------|-----|-------|--------|---|--|---------------------|----------------------|
| | | | | | | CASSADAGA WIND PROJECT CASSADAGA WIND, LLC. | | PROJ. No.: 19018 | |
| | | | | | | 115kV TRANSMISSION LINE CONCEPTUAL STRUCTURE DRAWING | | SCALE: NONE | |
| | | | | | | TYPE: TANGENT W/34.5 KV UNDERBUILT | | DWG. No.: SK-002 | SHEET: REV.: 01 A |
| A | 01/28/16 | ISSUED FOR INFORMATION | SDD | PBP | PBP | | | | |
| REV. | DATE | DESCRIPTION | DWN | CHK'D | APRV'D | | | | |

AVE. SPAN LENGTH: 400 – 500 FT.
 AVE. STRUCTURE HEIGHT: 85 – 95 FT.



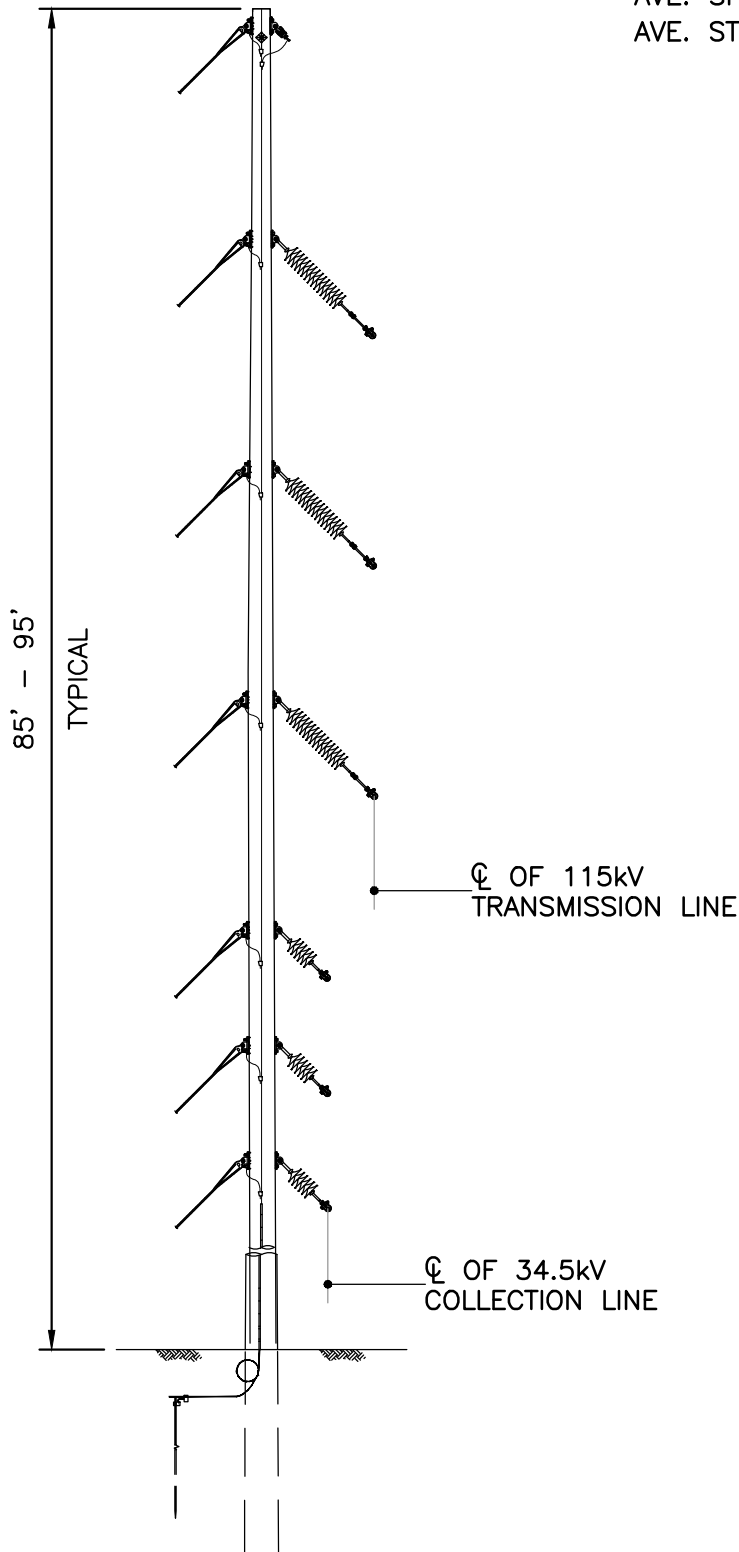
PROPRIETARY INFORMATION

AHV CLAIMS PROPRIETARY RIGHTS TO THE INFORMATION, DESIGN, AND LAYOUT DISCLOSED HEREIN. THIS DRAWING IS ISSUED FOR INFORMATIONAL PURPOSES ONLY AND MAY NOT BE REPRODUCED, DISCLOSED TO OTHERS OR USED TO DESIGN OR CONSTRUCT ANY OF THE ITEMS SHOWN HEREIN WITHOUT THE EXPRESSED WRITTEN CONSENT OF AHV. COPYRIGHT 2016 -ALBANY, NY



| | | | | | | | | | | |
|------|----------|------------------------|-----|-------|---|--|---------------------|---------------------|--------------|------------|
| | | | | | CASSADAGA WIND PROJECT CASSADAGA WIND, LLC. | | PROJ. No.: 19018 | | | |
| | | | | | 115kV TRANSMISSION LINE CONCEPTUAL STRUCTURE DRAWING | | SCALE: NONE | | | |
| A | 01/28/16 | ISSUED FOR INFORMATION | SDD | PBP | PBP | TYPE: LIGHT ANGLE W/ 34.5KV UNDERBUILT | | DWG. No.: SK-002 | SHEET: 02 | REV.: A |
| REV. | DATE | DESCRIPTION | DWN | CHK'D | APRV'D | | | | | |

AVE. SPAN LENGTH: 400 – 500 FT.
 AVE. STRUCTURE HEIGHT: 85 – 95 FT.



PROPRIETARY INFORMATION

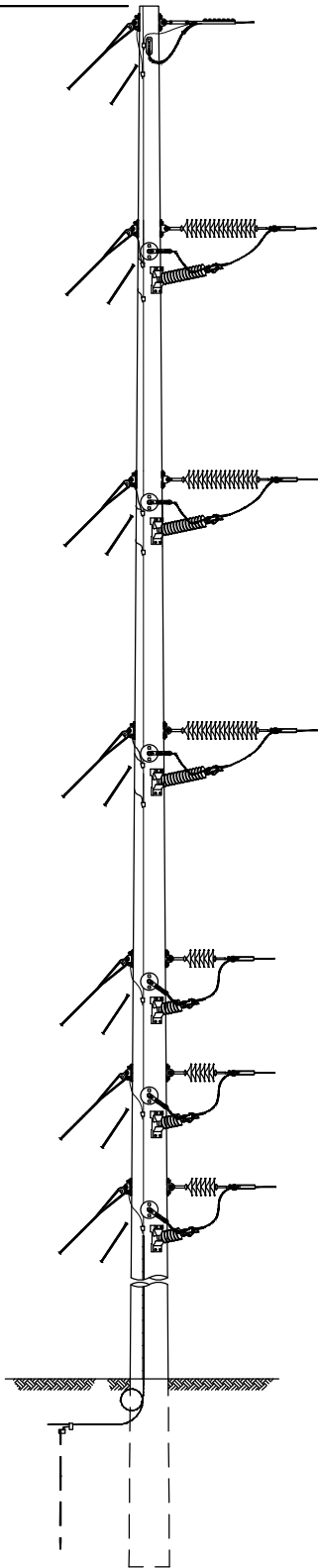
AHV CLAIMS PROPRIETARY RIGHTS TO THE INFORMATION, DESIGN, AND LAYOUT DISCLOSED HEREIN. THIS DRAWING IS ISSUED FOR INFORMATIONAL PURPOSES ONLY AND MAY NOT BE REPRODUCED, DISCLOSED TO OTHERS OR USED TO DESIGN OR CONSTRUCT ANY OF THE ITEMS SHOWN HEREIN WITHOUT THE EXPRESSED WRITTEN CONSENT OF AHV. COPYRIGHT 2016 -ALBANY, NY



| | | | | | | | | | | |
|------|----------|------------------------|-----|-------|---|--|---------------------|---------------------|--------------|------------|
| | | | | | CASSADAGA WIND PROJECT CASSADAGA WIND, LLC. | | PROJ. No.: 19018 | | | |
| | | | | | 115kV TRANSMISSION LINE CONCEPTUAL STRUCTURE DRAWING | | SCALE: NONE | | | |
| A | 01/28/16 | ISSUED FOR INFORMATION | SDD | PBP | PBP | TYPE: HEAVY ANGLE W/ 34.5KV UNDERBUILT | | DWG. No.: SK-002 | SHEET: 03 | REV.: A |
| REV. | DATE | DESCRIPTION | DWN | CHK'D | APRV'D | | | | | |

AVE. SPAN LENGTH: 400 – 500 FT.
 AVE. STRUCTURE HEIGHT: 85 – 95 FT.

85' – 95'
 TYPICAL



PROPRIETARY INFORMATION

AHV CLAIMS PROPRIETARY RIGHTS TO THE INFORMATION, DESIGN, AND LAYOUT DISCLOSED HEREIN. THIS DRAWING IS ISSUED FOR INFORMATIONAL PURPOSES ONLY AND MAY NOT BE REPRODUCED, DISCLOSED TO OTHERS OR USED TO DESIGN OR CONSTRUCT ANY OF THE ITEMS SHOWN HEREIN WITHOUT THE EXPRESSED WRITTEN CONSENT OF AHV. COPYRIGHT 2016 –ALBANY, NY



| | | | | | | | | | | |
|------|----------|------------------------|-----|-------|--------|---|--|---------------------|--------|-------|
| | | | | | | CASSADAGA WIND PROJECT CASSADAGA WIND, LLC. | | PROJ. No.: 19018 | | |
| | | | | | | 115KV TRANSMISSION LINE CONCEPTUAL STRUCTURE DRAWING | | SCALE: NONE | | |
| A | 01/28/16 | ISSUED FOR INFORMATION | SDD | PBP | PBP | TYPE: DEAD-END W/ 34.5KV UNDERBUILT | | DWG. No.: | SHEET: | REV.: |
| REV. | DATE | DESCRIPTION | DWN | CHK'D | APRV'D | | | SK-002 | 04 | A |